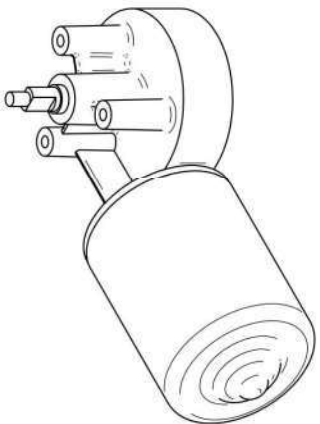
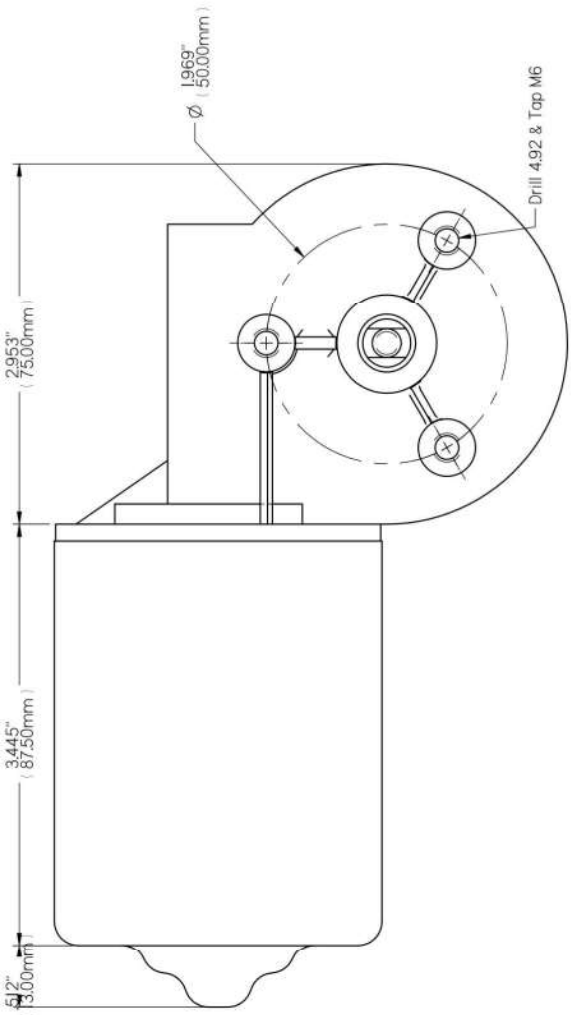
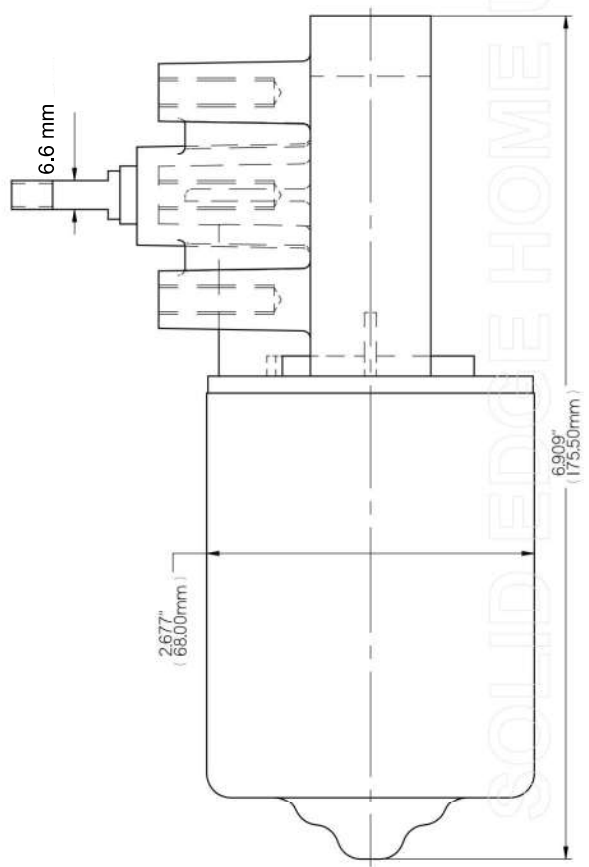
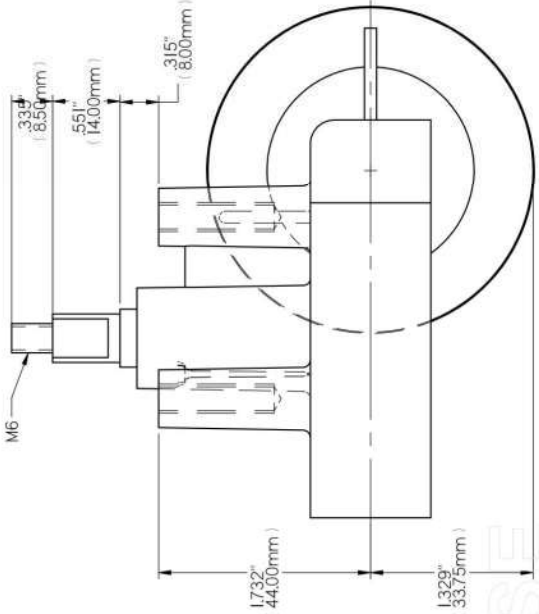


REV	DESCRIPTION	DATE	APPROVED



**NOTE: FOR PN01007-38, SHAFT LENGTH IS 0.886" LONG. SHAFT CONFIGURATION IS "D" SHAFT PROFILE WHERE FLAT TO OD IS 0.322". NO THREADED END.**



NAME	DATE	MAKERMOTOR.COM
DESIGN		
DATE		
SCALE		
FILE NAME		
SCALE		
HEIGHT		
SHEET		
LOFT		

NAME	DATE	MAKERMOTOR.COM
DESIGN		
DATE		
SCALE		
FILE NAME		
SCALE		
HEIGHT		
SHEET		
LOFT		

12V DC Drive Motor  
 WM 12V  
 2 PL. MAX 3 PL. XXXX